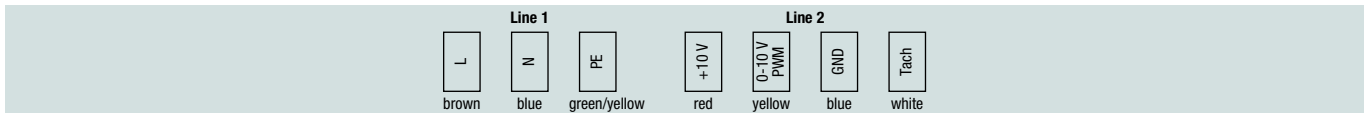
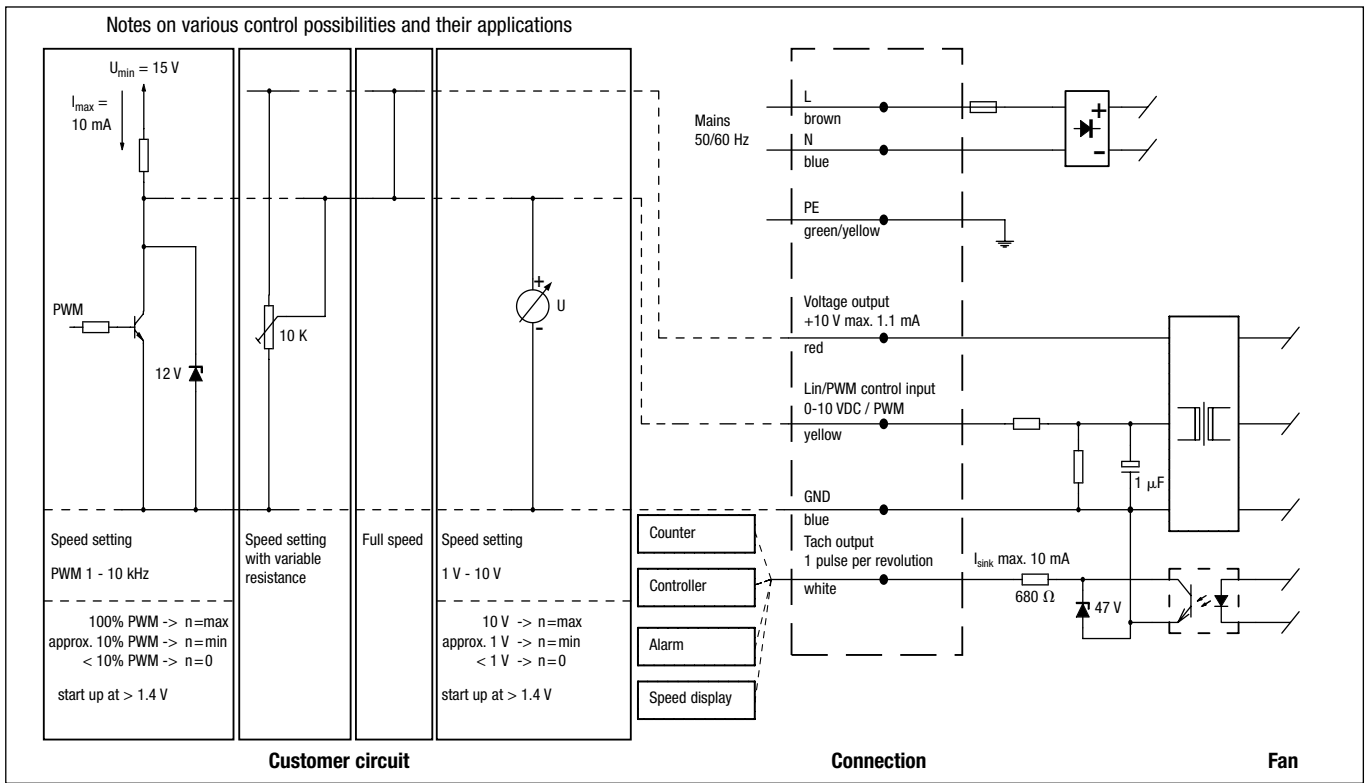


H1) EC motors (size 055, line-fed)



| Line | Connection | Colour | Assignment / function | Line | Connection | Colour | Assignment / function |
|------|------------|-----------|-------------------------|------|--------------|--------|-------------------------------------|
| 1 | L | brown | Mains 50/60 Hz, phase | 2 | +10 V | red | Voltage output +10 V max. 1.1 mA |
| | N | blue | Mains 50/60 Hz, neutral | | 0-10 V / PWM | yellow | Control input (Impedance 100 kΩ) |
| | PE | green/yel | Protective earth | | GND | blue | GND |
| | | | | | Tach | white | Tach output: 1 pulse per revolution |